

# STAINLESS DESIGN WASTE BIN

## 294



12 l / 3.17 gl capacity  
 Selfclosing tip-down lid  
 2-year warranty

Sturdy waste and sanitary bin with a capacity of 12 l / 3.17 gl with a hygienic self-closing tip-down lid, keeping bin contents out of sight. Inner bucket in stainless steel. Stainless Design is a complete product line for commercial toilets, in which quality and aesthetics are paramount. The entire stainless product line is made of strong quality materials, featuring unique design and beautifully arched brushed stainless steel housing.

### Technical data

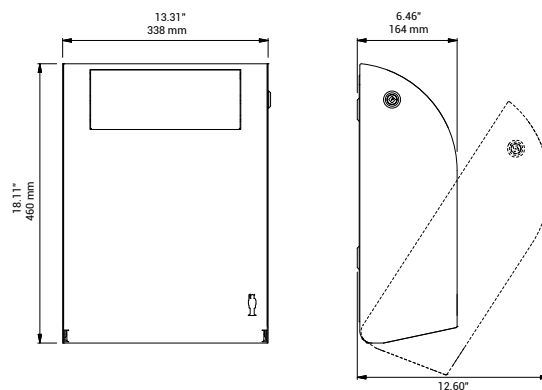
	Metric	Imperial
<b>Type</b>	<b>STAINLESS DESIGN WASTE BIN</b> Prod.No.: 294 Waste bin	<b>STAINLESS DESIGN WASTE BIN</b> Prod.No.: 294 Waste bin
<b>Dimensions</b>	H: 460 mm x W: 338 mm x D: 160 mm / (open front): 320 mm	H: 18.11" x W: 13.30" x D: 6.29" / (open front): 12.59"
<b>Material</b>	1.5 mm brushed stainless steel AISI 304	0.05" brushed stainless steel AISI 304
<b>Capacity</b>	12 l	3.17 g
<b>Net weight</b>	8,6 kg	18.95 lb
<b>Tender text</b>	Waste/sanitary bin in 1.5 mm brushed stainless steel AISI 304. Capacity 12 l. Equipped with self-closing tip-down lid and inner bucket in stainless steel. Net weight: 8.6 kg. H: 460 mm x W: 338 mm x D: 160 mm / (open front): 320 mm	Waste/sanitary bin in 0.05" brushed stainless steel AISI 304. Capacity 3.17 gl. Equipped with self-closing tip-down lid and inner bucket in stainless steel. Net weight: 18.95 lb. H: 18.11" x W: 13.30" x D: 6.29" / (open front): 12.59"

### Application

Suitable for smaller toilet rooms. The Stainless Design product line combines hygiene, durability, and classic elegance to suit any commercial bathroom. The products are designed specifically for use in public toilets where low-maintenance is called for, and equipment must be able to withstand rough treatment.

### References

Offices and administration, shopping malls, restaurants, hotels, airports, train stations, sports facilities and public swimming pools, schools, public institutions and cultural centres.



### Standard colour

Brushed stainless steel.  
 Also available in all RAL colours.

### Installation

Wall mounting.